

INSTALLATION, OPERATION & MAINTENANCE MANUAL

RPB Nova3 L4 Blast Light



MANUAL CONTENTS

OPERATION

- 3 Light Configuration
- 3 Charging
- 3 Environment
- 3 Warranty
- 4 Instructions

INSTALLATION AND USE

- 5 Installation and Use

PARTS AND ACCESSORIES

- 8 L4 Light Components
- 9 Maintenance Record

WARNING

Do not attempt to operate this equipment without first reading and understanding the manual enclosed with this device. Suitability for use of this device lies solely with user. Failure to use genuine RPB Safety NIOSH approved parts and components voids the approval of the light assembly.

Fill in your model and serial number in the blank spaces below. These can be used for reference whenever service or maintenance is required.

Unit Serial Number _____

Date Of Issue _____

OPERATION

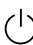
The L4 Light is designed to provide a clear and bright light that is directed at the work area where the operator looks.

The unit is powered by a battery pack containing lithium ion batteries. The lower capacity unit (HLNV35304) is designed to last up to four hours while running on the full power setting when fully charged.

The larger capacity unit (HLNV35308) will last for more than eight hours while running on the full power setting when fully charged.

LIGHT CONFIGURATION

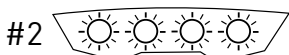
The L4 has five light settings which provide various light intensities:

 → Hold 3 Sec (ON/OFF)

Full



Medium



Low



CHARGING

The power supply is a universal 110-240 volt adaptor. Full charging cycles take 3.5 hours. The charger cycles through three steps as listed below:

1. 0-20% slow initial charge (Red LED)
2. 20-95% faster bulk charge (Orange LED)
3. 95-100% Slow trickle charge (Flashing Green LED)

Before using the light for the first time, make sure a full charge is performed. The batteries are manufactured to last 350 charge cycles for peak performance.

ENVIRONMENT

The L4 Lights are a sealed unit and can be used in outdoor environments, but must not be submerged in water or used in excessively wet conditions.

WARRANTY

All RPB® products are covered by a manufacturer's warranty of three months. The manufacturer's warranty covers defects in material, workmanship but does not cover damage caused by misuse or abuse. RPB®'s only obligation and remedy shall be to repair, replace or refund the purchase price of such parts or products upon the presentation of proof of purchase. Maximum liability is in no case to exceed the value of the RPB® product involved.

WARNING

The LED lights in this unit are extremely bright and it is not recommended that they are shone directly into the eyes excessive exposure may cause harm or blindness. Exposure to excessively wet conditions or submersion in water could cause serious injury.

INSTRUCTIONS

Features & Assembly

Features

- Designed for the Nova3.
- Stainless steel clip that holds the light onto the front peak of the Nova3.
- Very streamlined design to make it easy for use inside tanks and other confined spaces. Doesn't protrude forward like a miners light and is less likely to be hit.
- Light weight design so the operator will hardly notice they are wearing it.
- Four different light settings:
 - 0oo0 - Exit lighting
 - **0oo0** - Bright exit lighting
 - 0000 - Area lighting
 - **0000** - Full area lighting
- When light is turned off and back on, it will return to the last setting it was set on.
- Can be fitted to any Nova3 helmet.

Fitting to the Nova3

1. Remove the hand strap.
2. Attach the securing clip to the hole that the hand strap came from.
3. Clip the stainless steel clip on the L4 light to the center of the Nova3 peak.
4. Pull the rubber strap over the helmet and secure it to the mounting clip.
5. Feed the cable through the cape and connect to the battery pack.
6. Mount the battery pack to the same belt as your flow control device.

WARNING

Failure to use genuine RPB Safety NIOSH approved parts and components voids the approval of the light assembly. Fitting information to be used as a guide only.

INSTALLATION AND USE

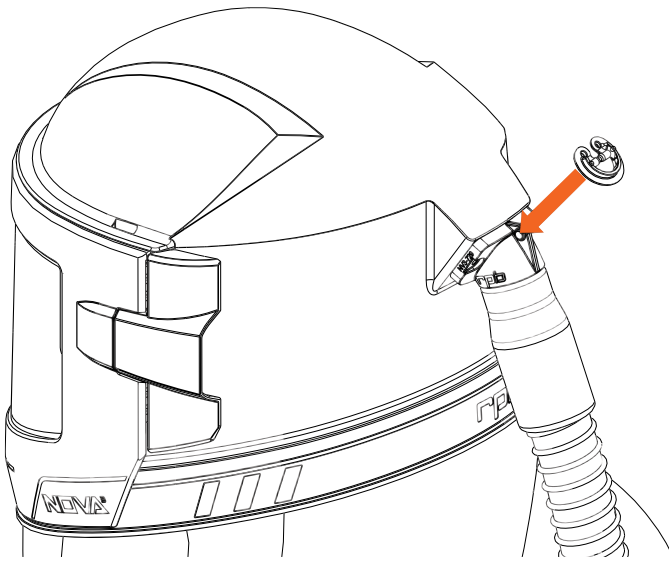


Figure 1

Remove the hand strap and ring from the air inlet fitting at the back of the helmet. Once removed, insert the base clip of the L4 Light.

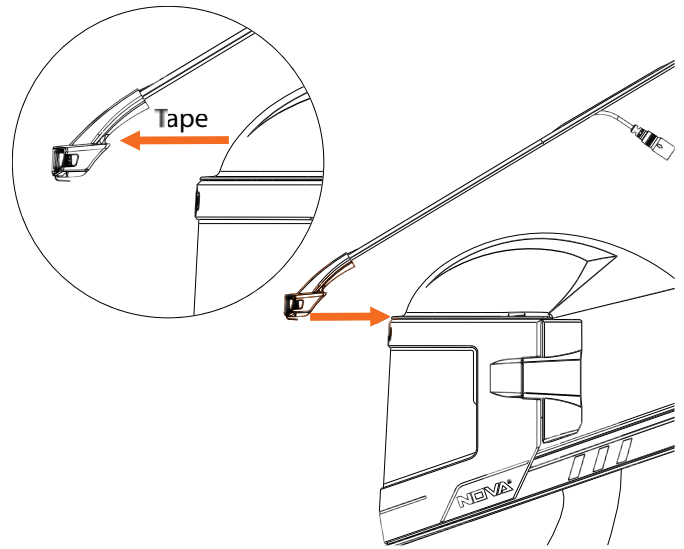


Figure 2

Remove the backing from the double sided tape on the back of the L4 Light. Locate the L4 on the front of the Helmet making sure that the steel clip is securely clipped over the front of the peak and that the L4 is centred on the helmet. Then press firmly to make sure the tape is adhered to the helmet.

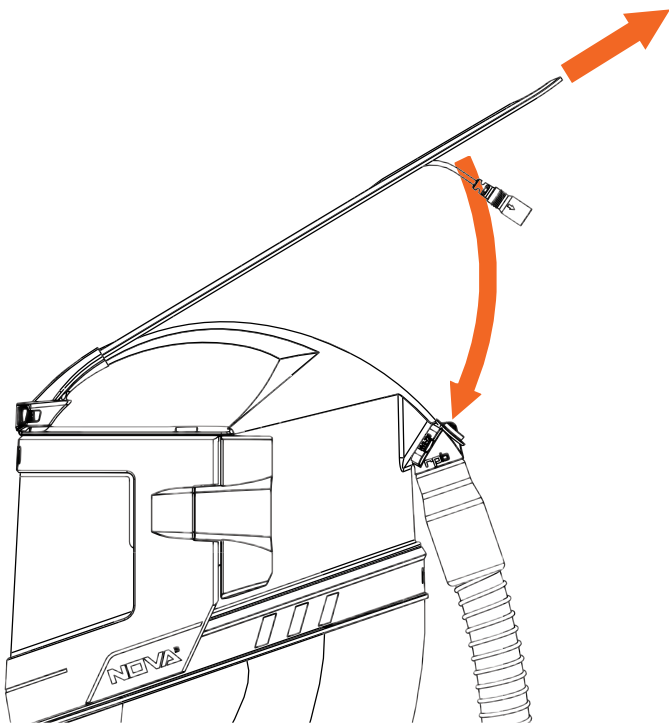


Figure 3

Stretch the L4 Light band over the top of the helmet and draw it tight to connect the second hole in the band over the clip.

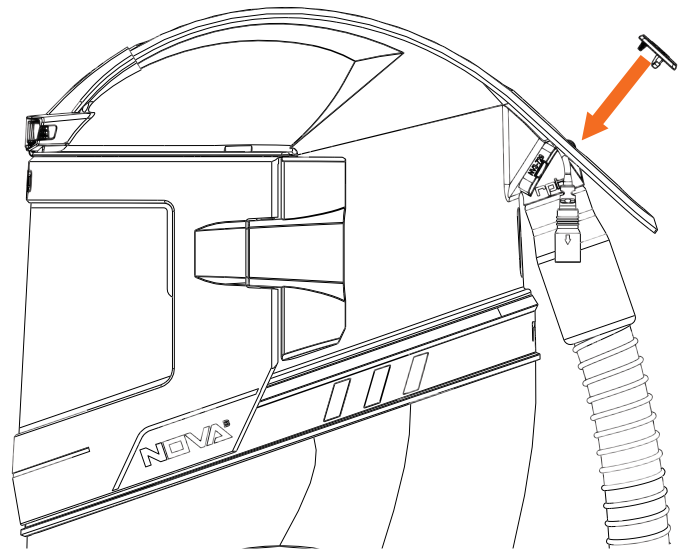


Figure 4

Holding the L4 Light band in place, push fit the locking clip over to secure the band to the helmet, making sure that the band is sitting neatly on the center of the helmet and that the light is held securely in place.

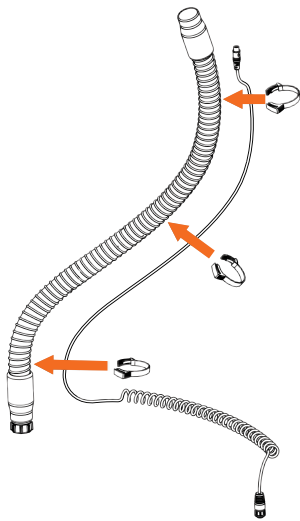


Figure 5

Attach the straight section of the power cable to the breathing tube with cable/hose clips so that the connector is positioned to connect to the connector on the back of the L4 Light unit and the coiled section is hanging off the bottom of the breathing tube.

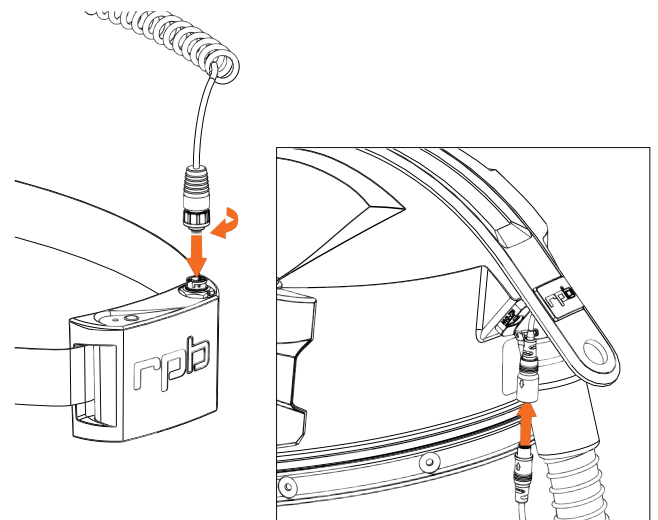


Figure 6

Thread on the breathing tube to the helmet and then connect the cables together at the back of the helmet. Connect the other end of the power cable to the belt mounted battery pack.

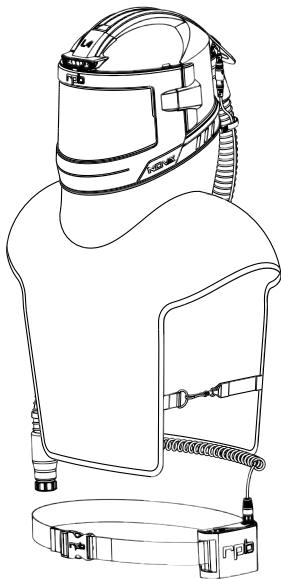


Figure 7

Put on the Respirator according to the respective user instruction manual for the respirator being used (i.e. Nova3). Fit the belt mounted battery pack to your waist.

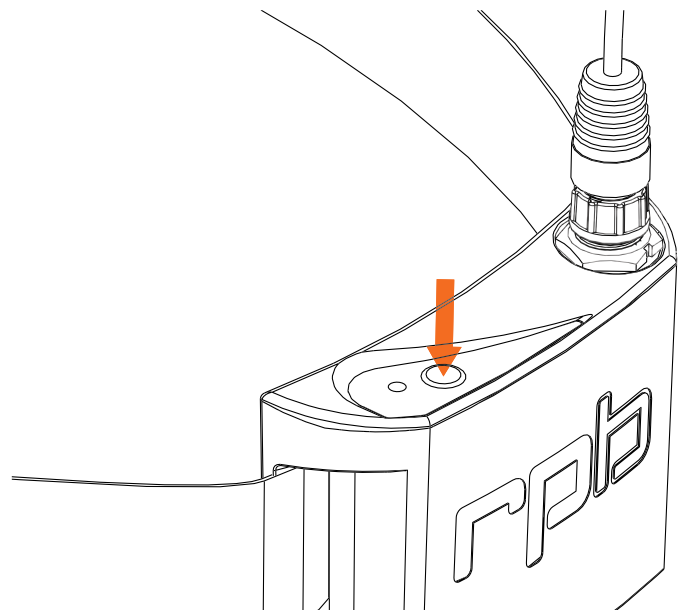


Figure 8

Press the power button to set the brightness you require.

- One push sets all 4 lights on at full brightness.
- Two pushes sets all 4 lights to medium brightness.
- Three pushes sets all 4 lights to low brightness.
- Four pushes sets outer lights to medium and inner 2 lights to off.
- Five Pushes sets outer lights to low and inner 2 lights to off. Hold power button to turn unit off.

INSTALLATION AND USE

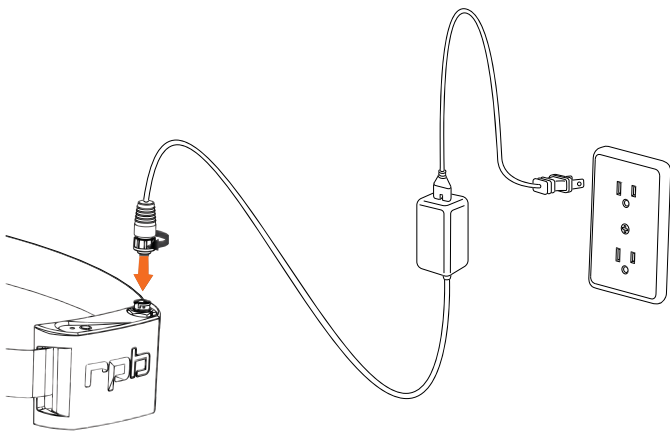


Figure 9

To recharge the battery, disconnect it from the light power cable, and connect the charging cable provided. Now plug the charging cable to the main power outlet and press the power button on the battery pack. This will charge the unit.

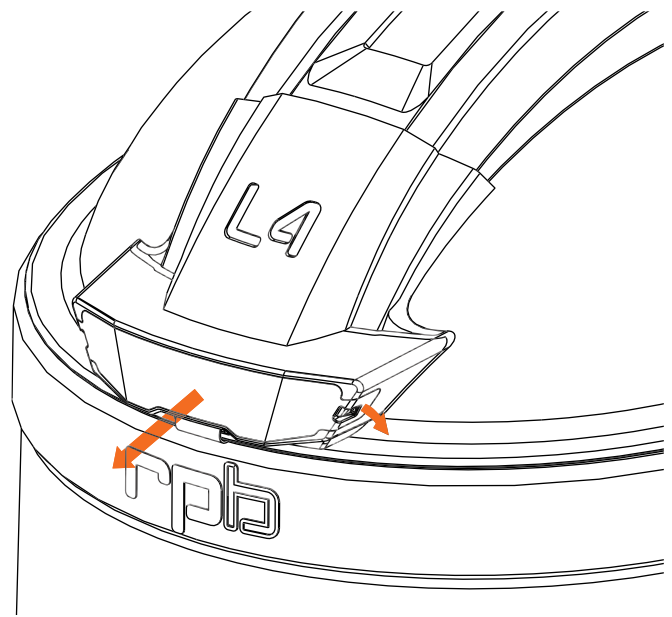


Figure 10

Remove the old outer lens from the light unit by unclipping it from the sides. Excessive wear of this item will effect the efficiency and light distribution of the light.

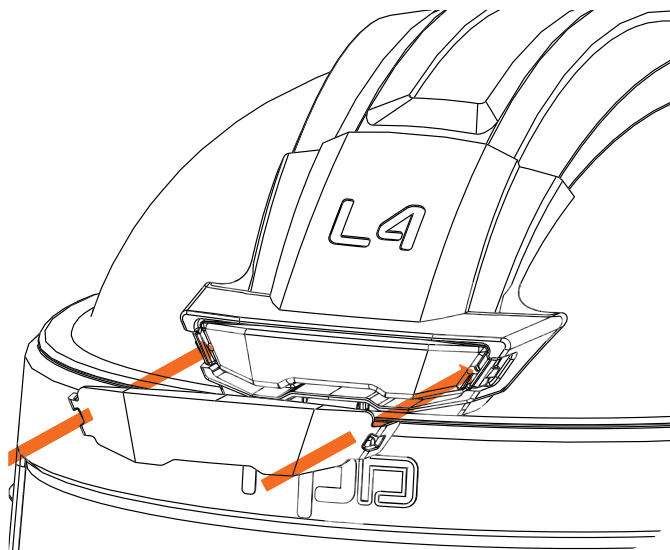


Figure 11

Place the new outer lens onto the front of the L4 Light unit and press firmly into place so that the side clips snap lock into position.

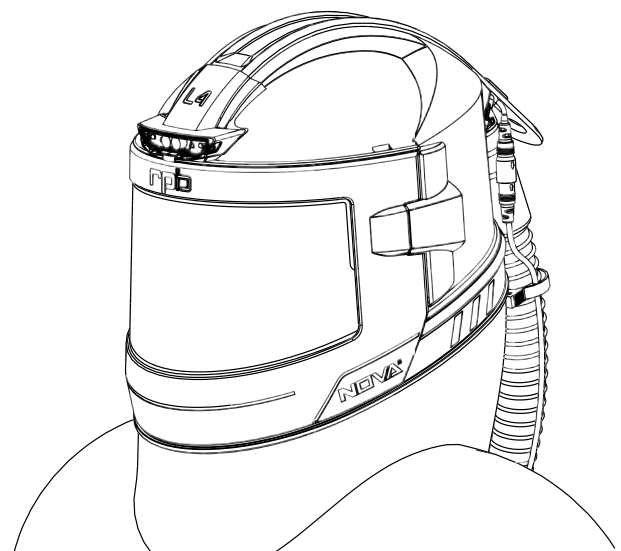


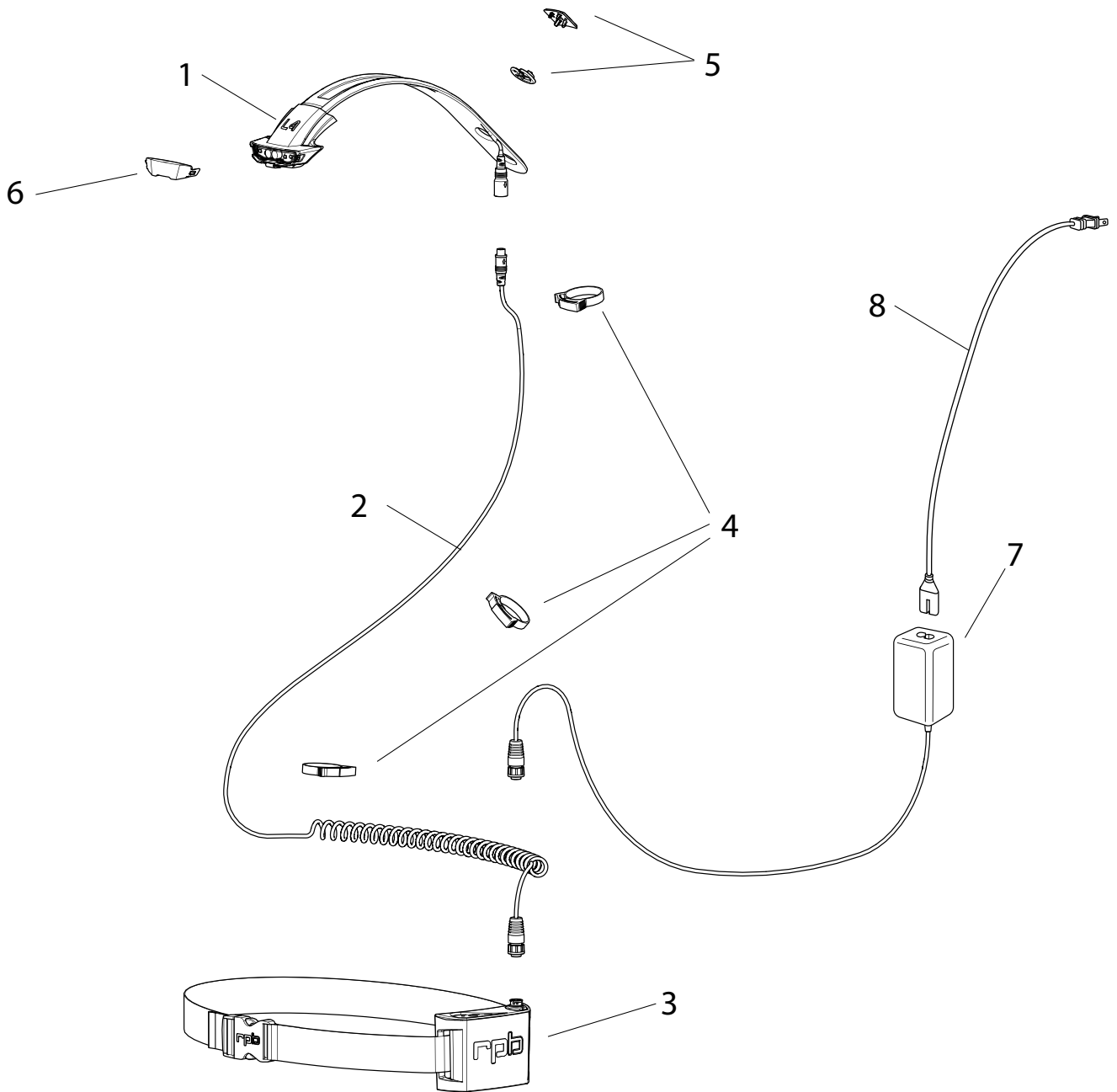
Figure 12

Clean the L4 Light unit with a damp cloth and mild detergent.

⚠ WARNING ⚠

Do not use volatile chemicals or submerge the L4 Light in water as it may cause injury.

L4 LIGHT COMPONENTS



ITEM	DESCRIPTION	PART NUMBER
1	Light Assembly	HLNV39510
2	Light Cable	HLNV39524
3	Battery Pack and Belt 4hrs.	HLNV395304
	Battery Pack and Belt 8hrs.	HLNV395308
4	Cable / Hose Clips	HLNV37122
5	Top and Bottom Mounting Clips	HLNV39520

ITEM	DESCRIPTION	PART NUMBER
6	Outer Lens	HLNV39522
7	Battery Charger and Cable	HLNV39525
8	AC Power Cable US	HLNV39021
	AC Power Cable AU	HLNV39021AU
	AC Power Cable UK	HLNV39021UK
	AC Power Cable EU	HLNV39021EU

MAINTENANCE RECORD

DATE	MAINTENANCE DETAIL	SIGNED



BLASTONE

BLASTONE INTERNATIONAL (AUST) PTY LTD

57 Alexandra Place Murarrie
Queensland 4172 Australia

PO Box 3385 Tingalpa DC
Queensland 4172 Australia

Toll Free 1800 190 190
Tel (07) 3329 5000
Fax (07) 3329 5066
Email sales.au@blastone.com
www.BlastOne.com

AUSTRALIAN OFFICES

Adelaide | Brisbane | Darwin | Mackay |
Melbourne | Perth | Sydney

BLASTONE INTERNATIONAL

4510 Bridgeway Avenue
Columbus Ohio 43219 USA

Toll Free 800 999 1881
Tel (614) 476 3000
Fax (614) 476 3002
Email sales@blastone.com
www.BlastOne.com

NORTH AMERICAN OFFICES

Chicago | Columbus | Los Angeles |
Minneapolis